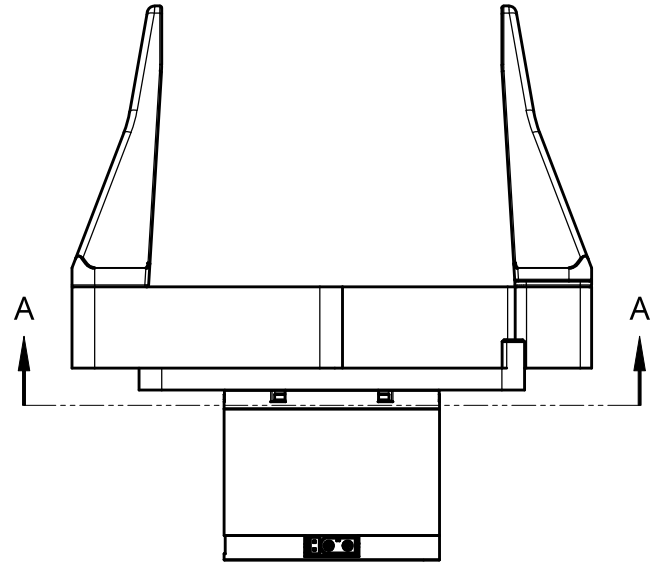
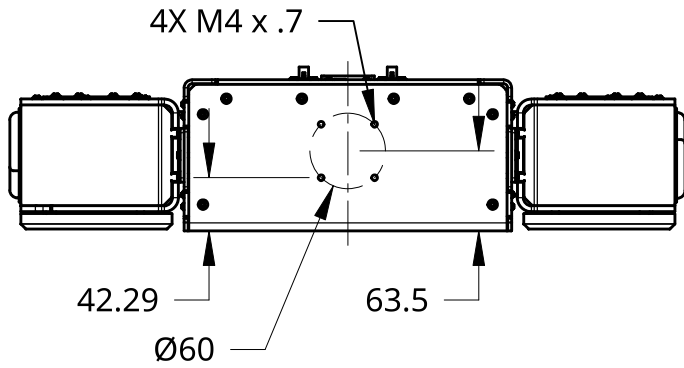


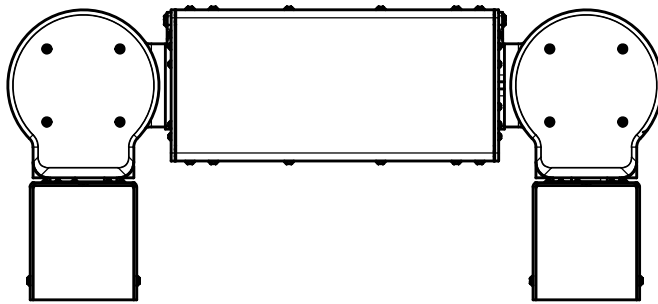
2

1

Top



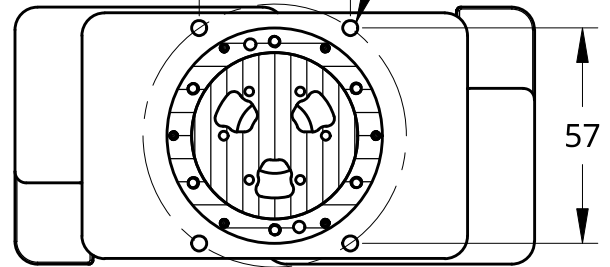
Front



4X M4 x .7

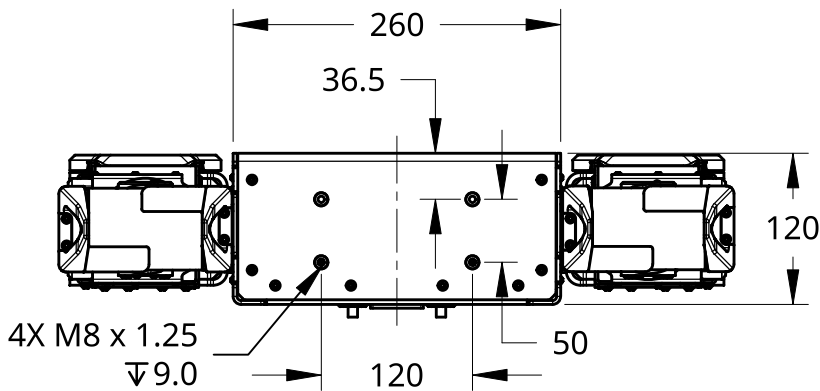
∇6

40



SECTION A - A  
SCALE 1:2

Bottom



Printed on 04/28/2026



**Almond**

TITLE

Axol and Gripper

**OUTLINE DRAWING**

Sheet 1 of 1

**ALL DIMENSIONS ARE IN MILIMETERS.**

2

1

B

B

A

A